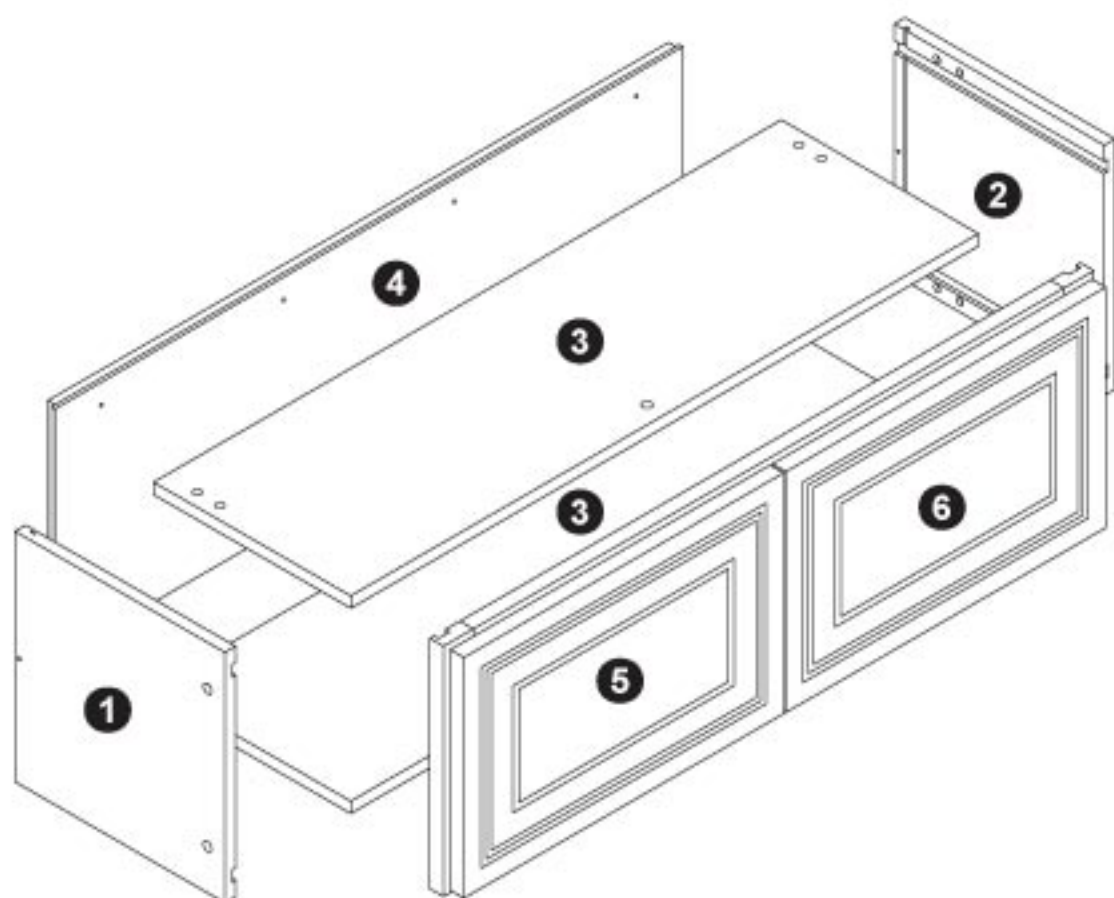


# **STANDARD DOUBLE DOOR WALL CABINET**

Cabinets Assembly Instructions



Tools Required



Hardware Included

